

## Vela LED Series

*Design HB16 High Bay Luminaire*  
25 Watt, 50 Watt or 90 Watt Super Bright White LED  
Open Anodized Aluminum Reflector  
Up To 150,000 Hour Average Rated Life

### THINK GREEN WITH LED LIGHTING

LED's (Light Emitting Diodes) are more efficient than traditional H.I.D. (High Intensity Discharge) light sources consuming as much as 75% less energy.

H.I.D. Light sources (Metal Halide and High Pressure Sodium) are rated at 10,000 to 20,000 hours useful life. LED's are rated up to 80,000 hours providing much lower maintenance costs.

LED fixtures providing better energy efficiency and a better quality of useable light.



### Specifications

**Housing:** Heavy duty die cast aluminum construction with corrosion resistant hardware and mounting hook. See finish note.

**Reflector:** Anodized aluminum, computer designed with LED array for efficiency and wide distribution.

**Light Source:** Super bright white 25W, 50W or 90W LED array with cast aluminum heat sink 3500K or 4900K color temp. 120V—277V LED driver.

**Finish:** White, detergent cleaned, prime coated. Chip resistant powder urethane polyester coating, electrostatic applied and baked.

**Photometric Information:** Contact factory.

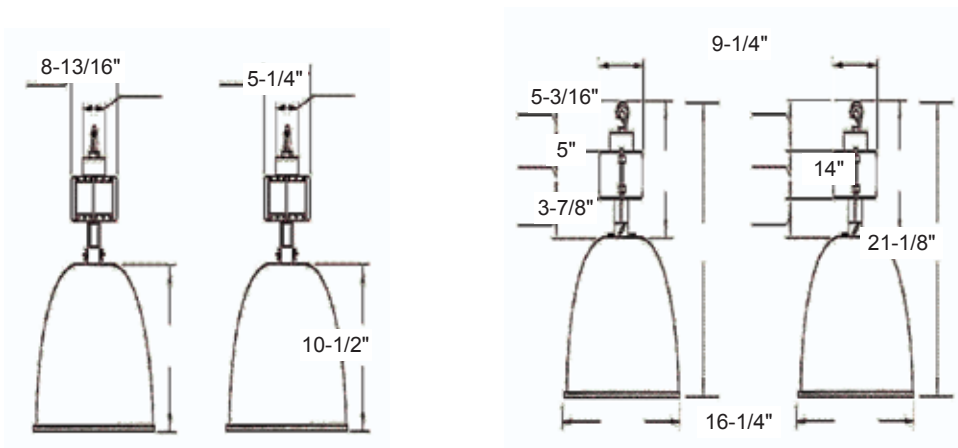
**Labels:** U/L, CUL listed suitable for damp location.

### Ordering Information

#### Open Aperture Fixtures

Catalog Number	Watts	Light Source
HB1625L	25	LED Array
HB1650L	50	LED Array
HB1690L	90	LED Array

*SPECIFICATIONS SUBJECT TO CHANGE WITHOUT NOTICE*



## Vela LED Series

*Design HB16 High Bay Luminaire*

25 Watt, 50 Watt or 90 Watt Super Bright White LED  
Open Anodized Aluminum Reflector  
Up To 150,000 Hour Average Rated Life

### **High Bay LED Retro-Fit Kit**

Contact Factory For Information



#### **Ordering Information**

Open Aperture Fixtures

Catalog Number	Watts	Light Source
HBR25L	25	LED Array
HBR50L	50	LED Array
HBR90L	90	LED Array

Retro-Fit Kit includes medium and mogul base adapters, mounting yoke, LED array and driver.