

Perseus LED Series

Surface Mount AL40 Garage Luminaire
25W, 50W or 90W Super Bright White LED
Polycarbonate Refractor
Up To 150,000 Hour Average Rated Life

THINK GREEN WITH LED LIGHTING

LED's (Light Emitting Diodes) are more efficient than traditional H.I.D. (High Intensity Discharge) light sources consuming as much as 75% less energy.

H.I.D. Light sources (Metal Halide and High Pressure Sodium) are rated at 10,000 to 20,000 hours useful life. LED's are rated up to 80,000 hours providing much lower maintenance costs.

LED fixtures providing better energy efficiency and a better quality of useable light.



Specifications

Housing: Heavy duty die cast aluminum construction with corrosion resistant hardware. See finish note.

Refractor: Injection molded prismatic polycarbonate refractor. Provides brightness control, designed for maximum efficiency.

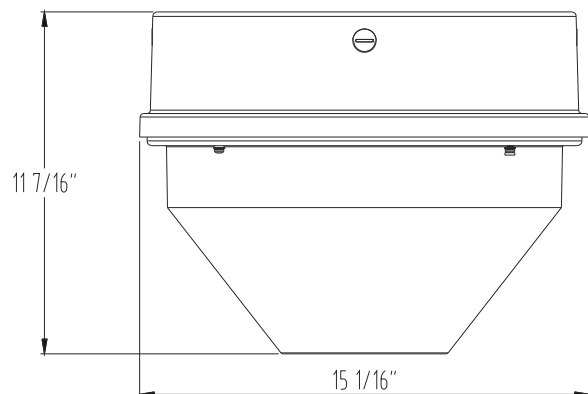
Light Source: Super bright white 25W, 50W or 90W LED array with cast aluminum heat sink 3500K or 4900K color temp. 120V—277V LED driver.

Finish: Bronze, detergent cleaned, prime coated. Chip resistant powder urethane polyester coating, electrostatic applied and baked.

Photometric Information: Contact factory.

Labels: U/L, CUL listed suitable for wet location.

SPECIFICATIONS SUBJECT TO CHANGE WITHOUT NOTICE



Ordering Information

Open Aperture Fixtures

Catalog Number	Watts	Light Source
AL4025L	25	LED Array
AL4050L	50	LED Array
AL4090L	90	LED Array

LED New England
www.led-newengland.com

Perseus LED Series
Surface Mount AL40 Garage Luminaire
25W, 50W or 90W Super Bright White LED
Polycarbonate Refractor
Up To 150,000 Hour Average Rated Life

**Contact Factory
For
Photometric
Information**