

Design AL12L

Surface Mount Area Light

**25 Watt or 50 Watt Super Bright White LED
With Prismatic Borosilicate Glass Lens
Up To 150,000 Hour Average Rated Life**

THINK GREEN WITH LED LIGHTING

LED's (Light Emitting Diodes) are more efficient than traditional H.I.D. (High Intensity Discharge) light sources consuming as much as 75% less energy.

H.I.D. Light sources (Metal Halide and High Pressure Sodium) are rated at 10,000 to 20,000 hours useful life. LED's are rated up to 80,000 hours providing much lower maintenance costs.

LED fixtures providing better energy efficiency and a better quality of useable light.



Specifications

Housing: Heavy duty cast aluminum. Powder coated finish. See finish note.

Lens: High impact polycarbonate refractor with silicone gasket.

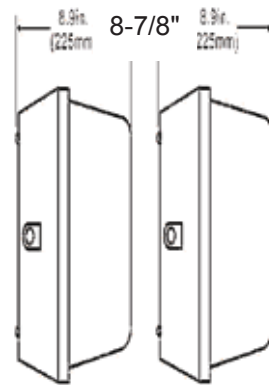
Reflector: Computer designed with LED array for efficiency finished bright white 95% reflectance.

Light Source: Super bright white 25W or 50W LED array with cast aluminum heat sink 3500K or 4900K color temp. 120V—277V LED driver.

Finish: Bronze, detergent cleaned, prime coated chip resistant powder urethane polyester coating. Contact factory for other colors.

Photometric Information: Contact factory.

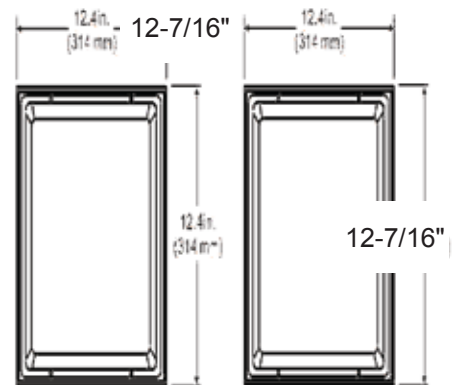
Labels: U/L, CUL listed suitable for wet location under covered canopy.



SPECIFICATIONS SUBJECT TO CHANGE WITHOUT NOTICE

Ordering Information

Catalog Number	Watts	Light Source
AL1225L	25	Super Bright LED
AL1250L	50	Super Bright LED



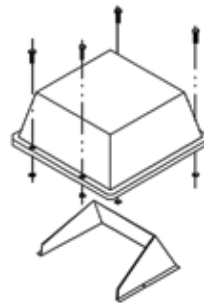
Design AL12L
Surface Mount Area Light
25 Watt or 50 Watt Super Bright White LED
With Prismatic Borosilicate Glass Lens
Up To 150,000 Hour Average Rated Life

**Contact Factory
For
Photometric
Information**

Options



AL12ES
External Shield



AL12iS
Internal Shield

PC(Voltage) Photocell Control
FD(Voltage) Fusing