

Design WP71L Wall Mount Area Light

25 Watt or 50 Watt Super Bright White LED
With Prismatic Borosilicate Glass Lens
Up To 150,000 Hour Average Rated Life

THINK GREEN WITH LED LIGHTING

LED's (Light Emitting Diodes) are more efficient than traditional H.I.D. (High Intensity Discharge) light sources consuming as much as 75% less energy.

H.I.D. Light sources (Metal Halide and High Pressure Sodium) are rated at 10,000 to 20,000 hours useful life. LED's are rated up to 80,000 hours providing much lower maintenance costs.

LED fixtures providing better energy efficiency and a better quality of useable light.



Specifications

Housing: Heavy duty cast aluminum. Bronze powder coated finish. See finish note.

Lens: High impact/heat resistant borosilicate glass refractor computer designed for wide distribution pattern, silicone sealed to door frame.

Reflector: Anodized aluminum, computer designed with LED array for efficiency.

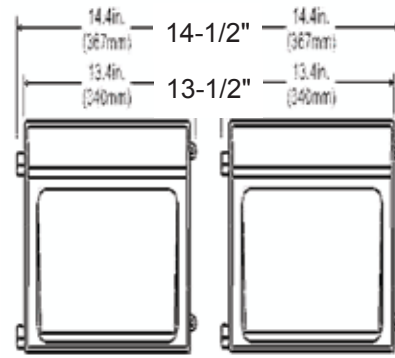
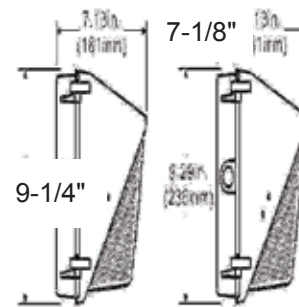
Light Source: Super bright white 25W or 50W LED array with cast aluminum heat sink 3500K or 4900K color temp. 120V—277V LED driver.

Finish: Bronze, detergent cleaned, prime coated. Chip resistant powder urethane polyester coating.

Photometric Information: Contact factory.

Labels: U/L, CUL listed suitable for wet location.

SPECIFICATIONS SUBJECT TO CHANGE WITHOUT NOTICE



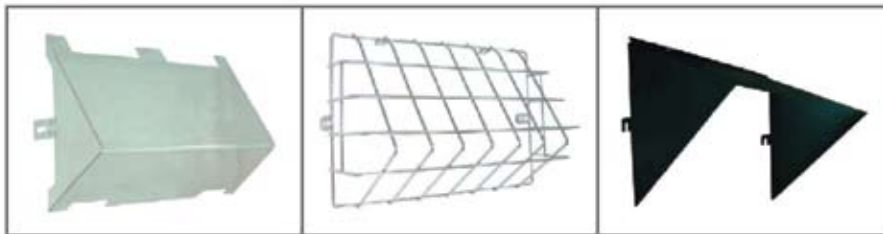
Ordering Information

Catalog Number	Watts	Light Source
WP7125L	25	Super Bright LED
WP7150L	50	Super Bright LED

Design WP71L
Wall Mount Area Light
25 Watt or 50 Watt Super Bright White LED
With Prismatic Borosilicate Glass Lens
Up To 150,000 Hour Average Rated Life

**Contact Factory
For
Photometric
Information**

Options & Accessories



WP71VS Vandel Shield

WP71WG Wire Guard

WP71VI Visor

PC(Voltage) Photocell Control
FD(Voltage) Fusing